



13339 NE AIRPORT WAY  
SUITE 400  
PORTLAND, OR 97230  
1-866-375-0727

purveyors  
of fine  
speed metal

WWW.SPEEDYMOTO.COM

## Installation Instructions

10-0201 - 10-0202 - 10-0209 - Front Axle Slider kit

### Parts included

1. Two stainless steel M8 bolts, and washers (in bag with threadlocker)
2. One orange aluminum axle rod
3. Two UHMW pucks (some kits have pucks specifically for the left and right)

### Tools required

1. 5mm Allen wrench
2. About 5min. of your time

### Installation

Note: DO NOT loosen fork pinch bolts before, during or after the installation of the axle sliders! Check that wheel does not bind and has free play after installation!

1. Attach rod to slider puck using a drop of the supplied threadlocker, one (1) washer, and one (1) M8 bolt.
2. Insert rod through axle, fasten second slider puck to rod using remaining hardware.
3. Tighten axle slider bolts to 10ft lbs. (14 Nm)
4. Go ride, and tell all your friends about SpeedyMoto!



13339 NE AIRPORT WAY  
SUITE 400  
PORTLAND, OR 97230  
1-866-375-0727

purveyors  
of fine  
speed metal

WWW.SPEEDYMOTO.COM

## Installation Instructions

10-0201 - 10-0202 - 10-0209 - Front Axle Slider kit

### Parts included

1. Two stainless steel M8 bolts, and washers (in bag with threadlocker)
2. One orange aluminum axle rod
3. Two UHMW pucks (some kits have pucks specifically for the left and right)

### Tools required

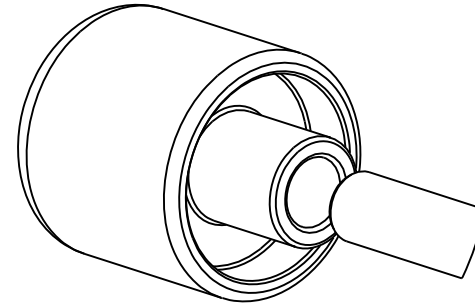
1. 5mm Allen wrench
2. About 5min. of your time

### Installation

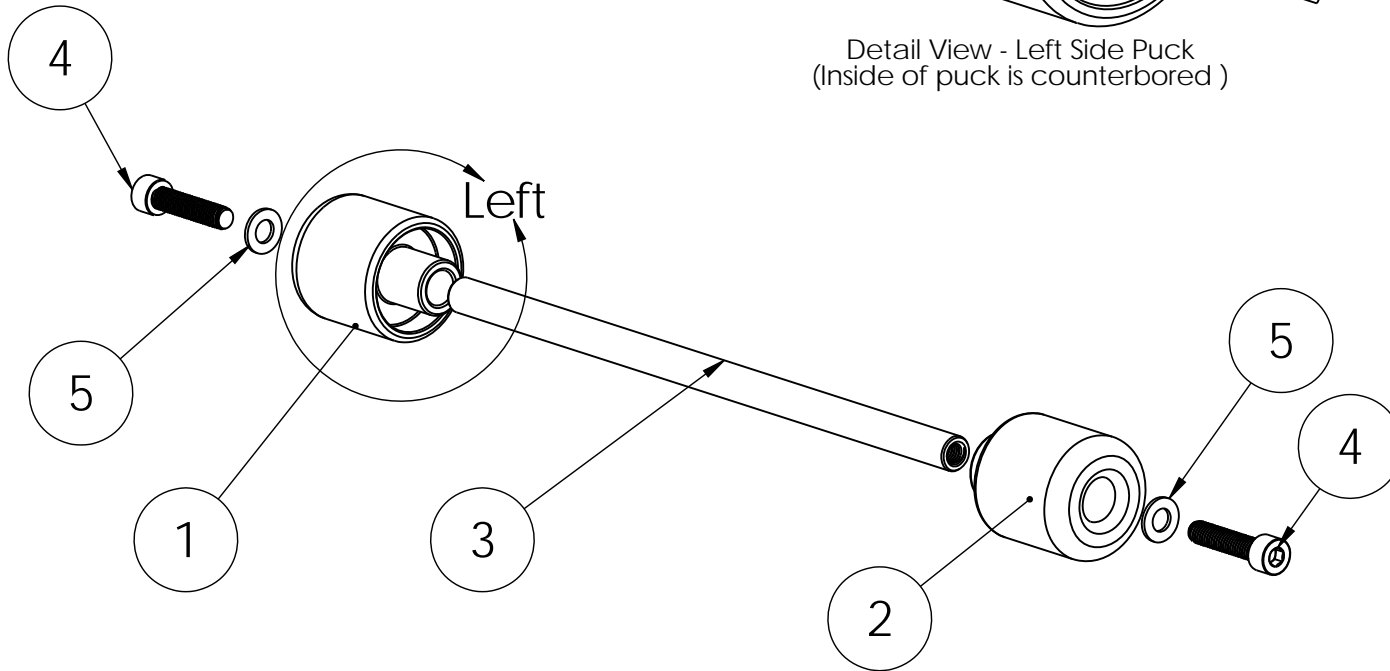
Note: DO NOT loosen fork pinch bolts before, during or after the installation of the axle sliders! Check that wheel does not bind and has free play after installation!

1. Attach rod to slider puck using a drop of the supplied threadlocker, one (1) washer, and one (1) M8 bolt.
2. Insert rod through axle, fasten second slider puck to rod using remaining hardware.
3. Tighten axle slider bolts to 10ft lbs. (14 Nm)
4. Go ride, and tell all your friends about SpeedyMoto!

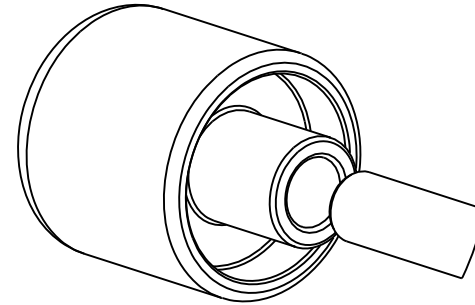
ITEM NO.	PART NUMBER	QTY.
1	FRONT LEFT SIDE PUCK	1
2	FRONT RIGHT SIDE PUCK	1
3	ORANGE AXLE ROD	1
4	M8 x 35mm Stainless Steel Cap Screw	2
5	M8 Stainless Steel Washer	2



Detail View - Left Side Puck  
(Inside of puck is counterbored )



ITEM NO.	PART NUMBER	QTY.
1	FRONT LEFT SIDE PUCK	1
2	FRONT RIGHT SIDE PUCK	1
3	ORANGE AXLE ROD	1
4	M8 x 35mm Stainless Steel Cap Screw	2
5	M8 Stainless Steel Washer	2



Detail View - Left Side Puck  
(Inside of puck is counterbored )

