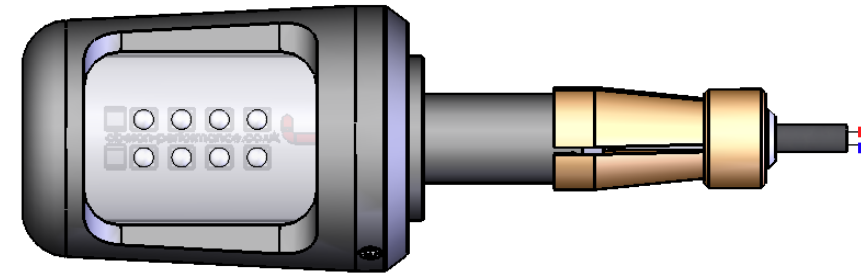
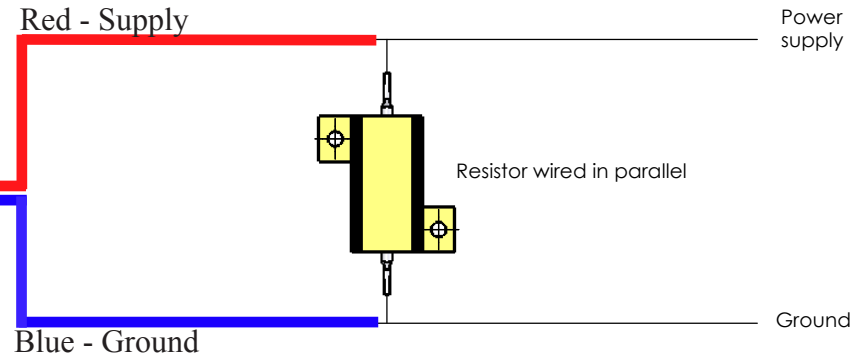
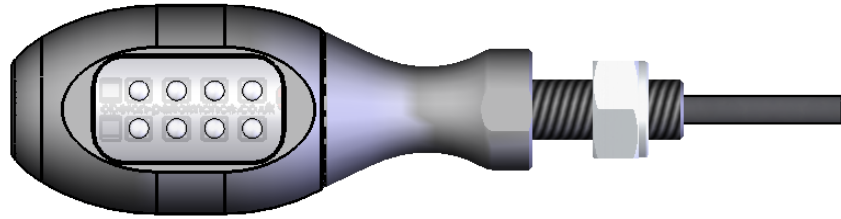
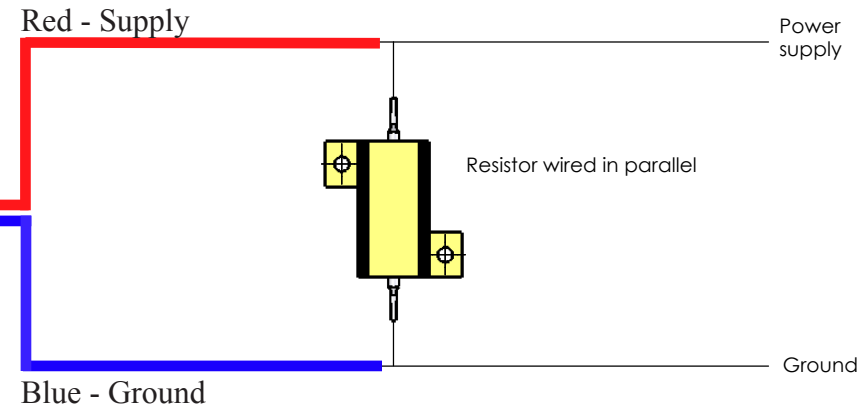


Mini indicator LED



Bar end LED indicator



27 April 2007 12:54:36

UNLESS OTHERWISE SPECIFIED: DIMENSIONS ARE IN MILLIMETERS SURFACE FINISH: TOLERANCES: LINEAR: ANGULAR:				FINISH:		DEBUR AND BREAK SHARP EDGES		DO NOT SCALE DRAWING		REVISION		
	NAME	SIGNATURE	DATE			TITLE: LED indicator resistor wiring diagram						
DRAWN						DWG NO.						A4
CHK'D												
APPV'D												
MFG												
Q.A					MATERIAL:							
					WEIGHT:	SCALE:1:1		SHEET 1 OF 1				