

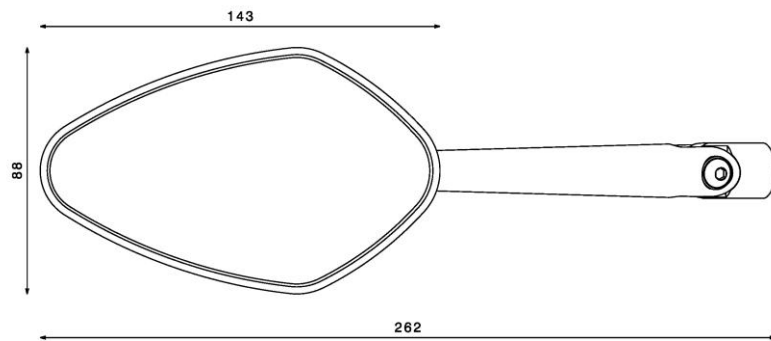
E1

000028

| | |
|---|---|
| Issued by: | Kraftfahrt-Bundesamt Fördestraße 16, 24944 Flensburg Germany |
| Place & Date of type-approval: | DE-24932 Flensburg, 25.04.2013 |
| Report No.: | 13-00128-CP-BWG-00 |
| Issued by: | TÜV SÜD AUTOMOTIVE GMBH DE-80686 München |
| Date of issue: | 09.04.2013 |
| Approval identification: | E1 000028 |

Product Codes: BS205A, BS205B

Technical Drawing:



| | |
|------------------------------|--|
| Marking: | Engraved by laser. |
| Field of application: | 2 or 3 wheel motorcycles and vehicles treated as such. (PTWs, ATVs, Scooters, Motorcycles, Moped) |

