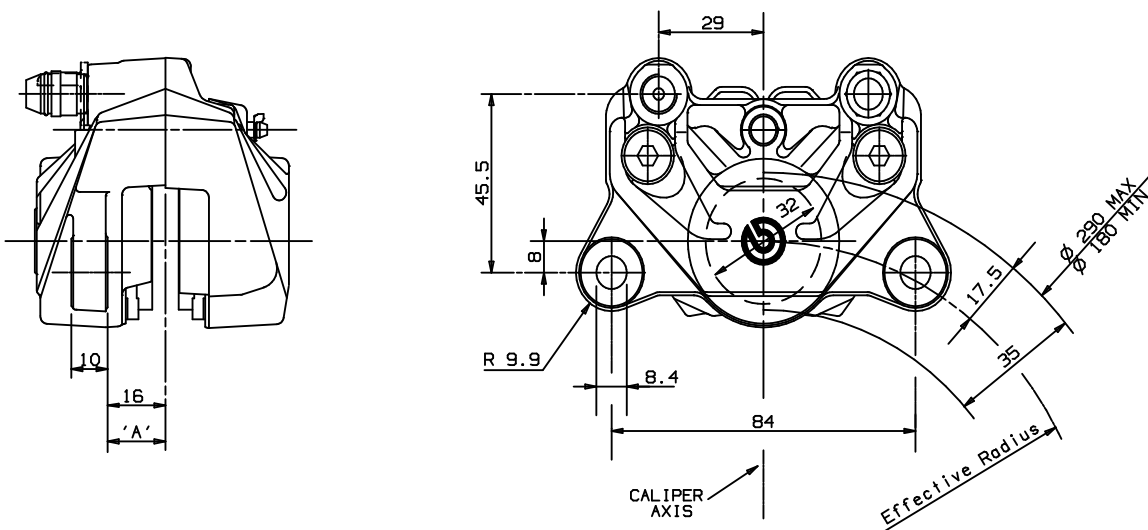




# FIXED CALIPER

**P 32 G**  
**20.6950.11**  
**21 C**

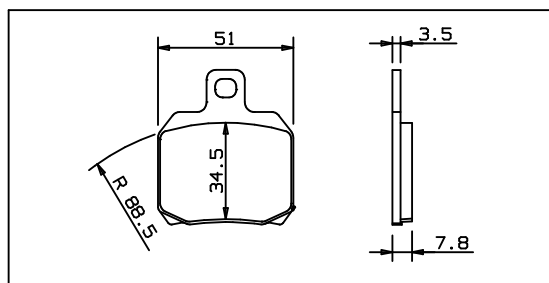


## DESCRIPTION

Fixed caliper with 2 opposed pistons, realized by semicalipers joined by bolts. Pads are supported by one pin. Construction Material: Aluminium Alloy. Operating fluid: brake fluid DOT4.

N.B.: drawing shows caliper Code 20.6950.11  
 Caliper Code 20.6950.21 specular.

## PADS SHAPE AND DIMENSIONS



## TECHNICAL CHARACTERISTICS

Pistons number and diameter:	2	32mm	Average pad surface (1 pad):	16.1 cm <sup>2</sup>
MAX working pressure:		70bar	Weight (with not sintered pads):	0.600 Kg
A) Disc position (TOLERANCE):		±0.6 mm		

## CONFIGURATION

CHARACT. CODE CALIPER	PADS FRICTION MATERIAL	BODY COLOR	MOUNT. SIDE	USABLE DISCS THICKNESS	BRAKE FLUID FOR PADS WEAR
20.6950.11 21	FERIT I/D 450 FF	GOLD	SX DX	4.0 mm	6.5 cm <sup>3</sup>

## AVAILABLE SPARE PARTS

SPARE PARTS CODE CALIPER	PADS	BLEEDER SCREW	DUST COVER	PIN SPLIT SPRING
20.6950.11 21	107.6949.11	105.3387.10	105.1502.10	120.5116.11