

## Installation Instructions

### 03-0204 SpeedyMoto Ducati 749/999 Triple Clamp

#### Parts included

1. One very special SpeedyMoto triple clamp
2. One very special SpeedyMoto steering damper extension (Fitted)
3. Two stainless M8 x 18 mm Allen head bolts (Fitted)
4. One stainless M8 x 30 mm Allen head bolt (Fitted)
5. One stainless M6 x 40 mm Allen head bolt

#### Tools required

1. 6mm Allen wrench
2. 5mm Allen wrench
3. Dead-blow mallet
4. Torque wrench

#### Note:

Additional tools may be required to remove/reinstall your steering damper, depending on the make and model.

#### Installation

##### Note:

You may need to temporarily move/remove the brake fluid and clutch fluid reservoirs to install your new SpeedyMoto triple clamp.

1. Remove your current steering damper, and top triple clamp.

##### Note:

While removing the steering damper, note the order that the spacers/washers/o-rings came off, and be careful not to lose any these parts as you remove the bolt.

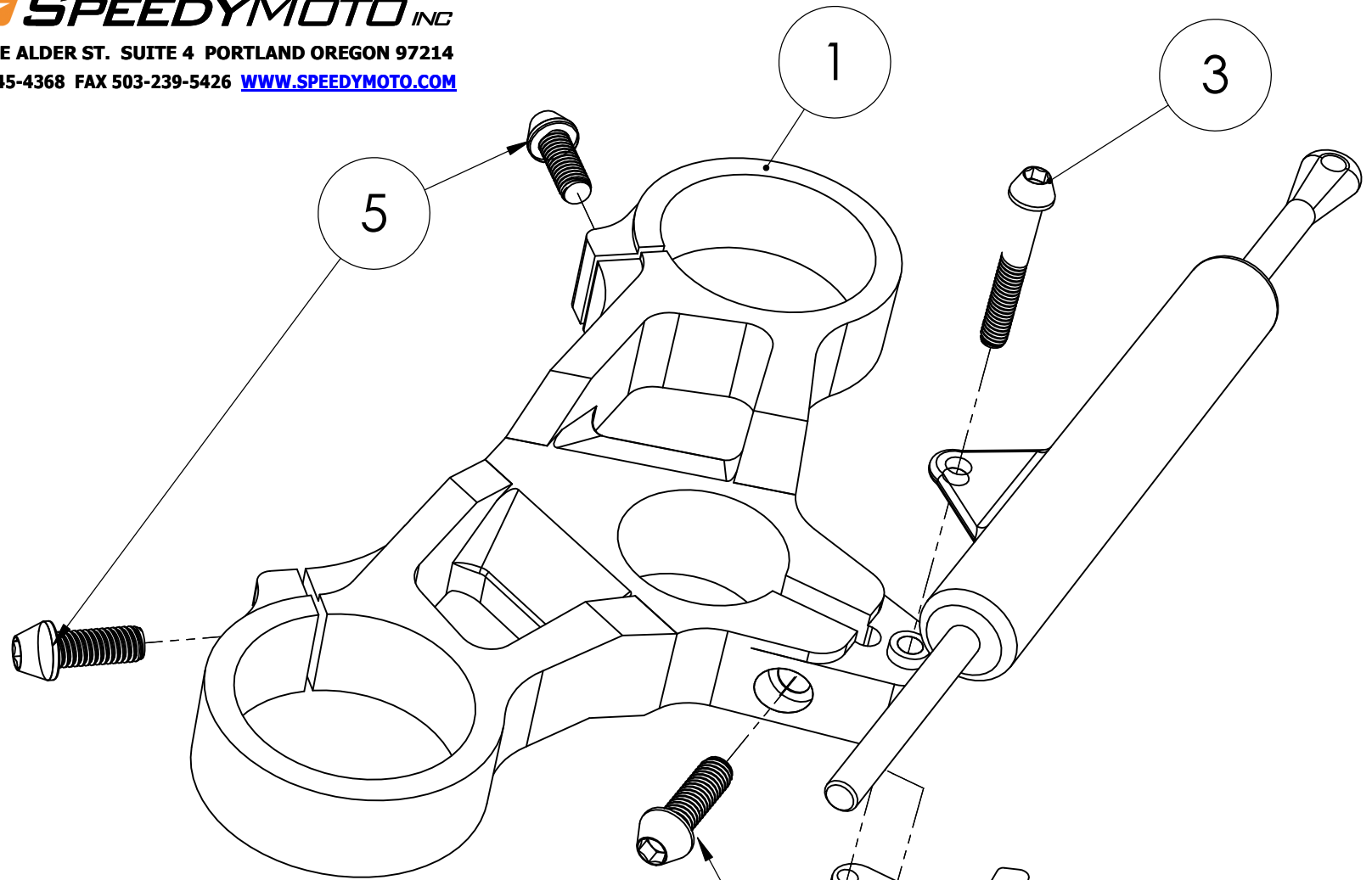
2. Loosen the 3 bolts fitted to your new SpeedyMoto triple clamp.
3. Align and place your new triple into place.
4. Tap triple clamp evenly until the the clamp seats firmly on the steering stem.
5. Torque all 3 bolts to 14 Nm (~10.5 Ft. Lbs.)
6. Reinstall your steering damper using the stock damper spacers/washers/o-rings, making sure the o-ring and washer goes back on in the correct order.
7. Reinstall/tighten brake fluid and clutch fluid reservoirs, if needed.
8. Ride it, and tell all your friends about SpeedyMoto!





939 SE ALDER ST. SUITE 4 PORTLAND OREGON 97214

503-445-4368 FAX 503-239-5426 [WWW.SPEEDYMOTO.COM](http://WWW.SPEEDYMOTO.COM)



ITEM NO.	PART NUMBER		QTY.
1	999 749 03-0204		1
2	999 STEERINGLOCK 2006		1
3	M6x40		1
4	M8x25		1
5	M8x20		2